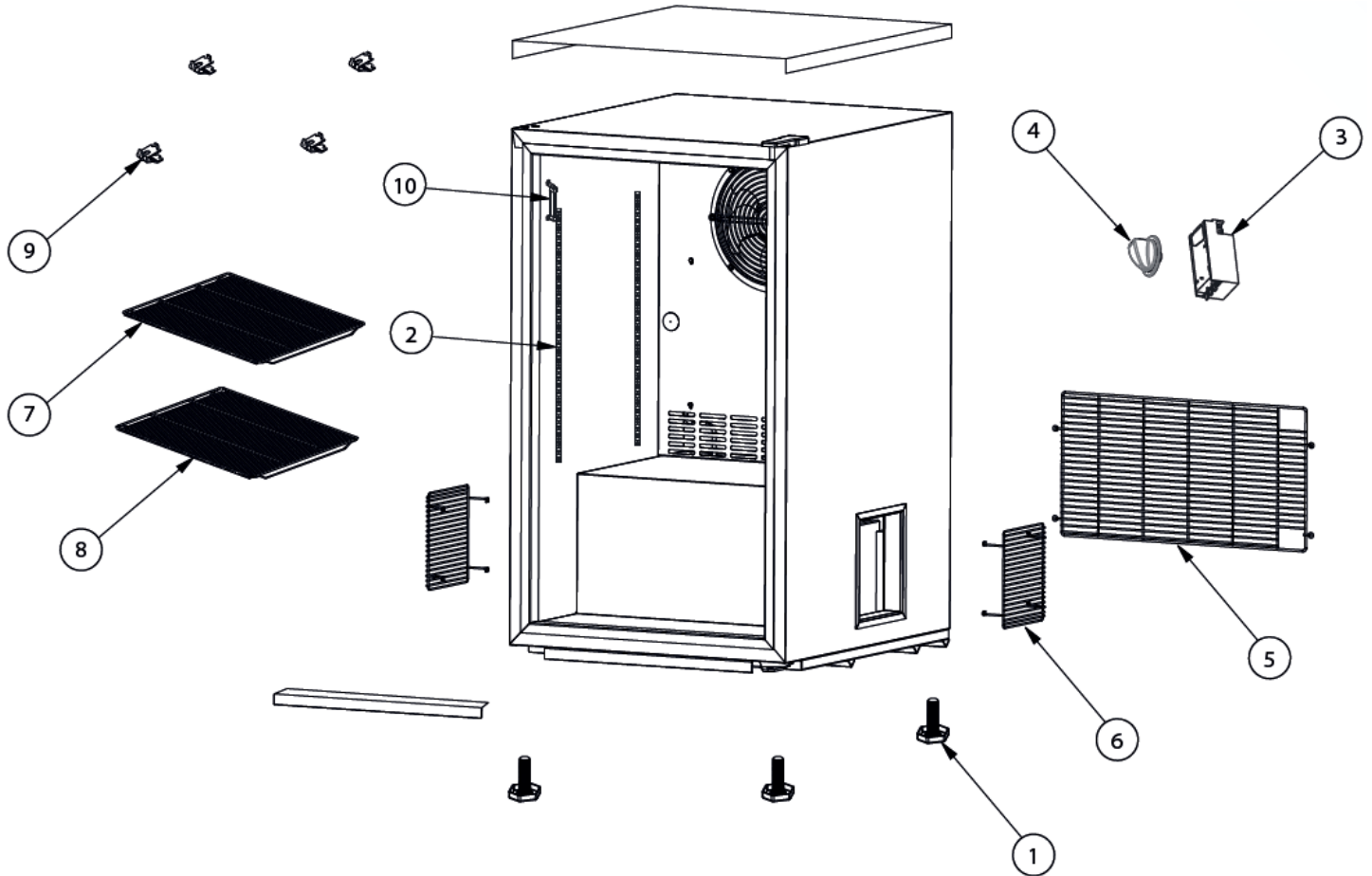


# Parts Breakdown

Model VR06 41214

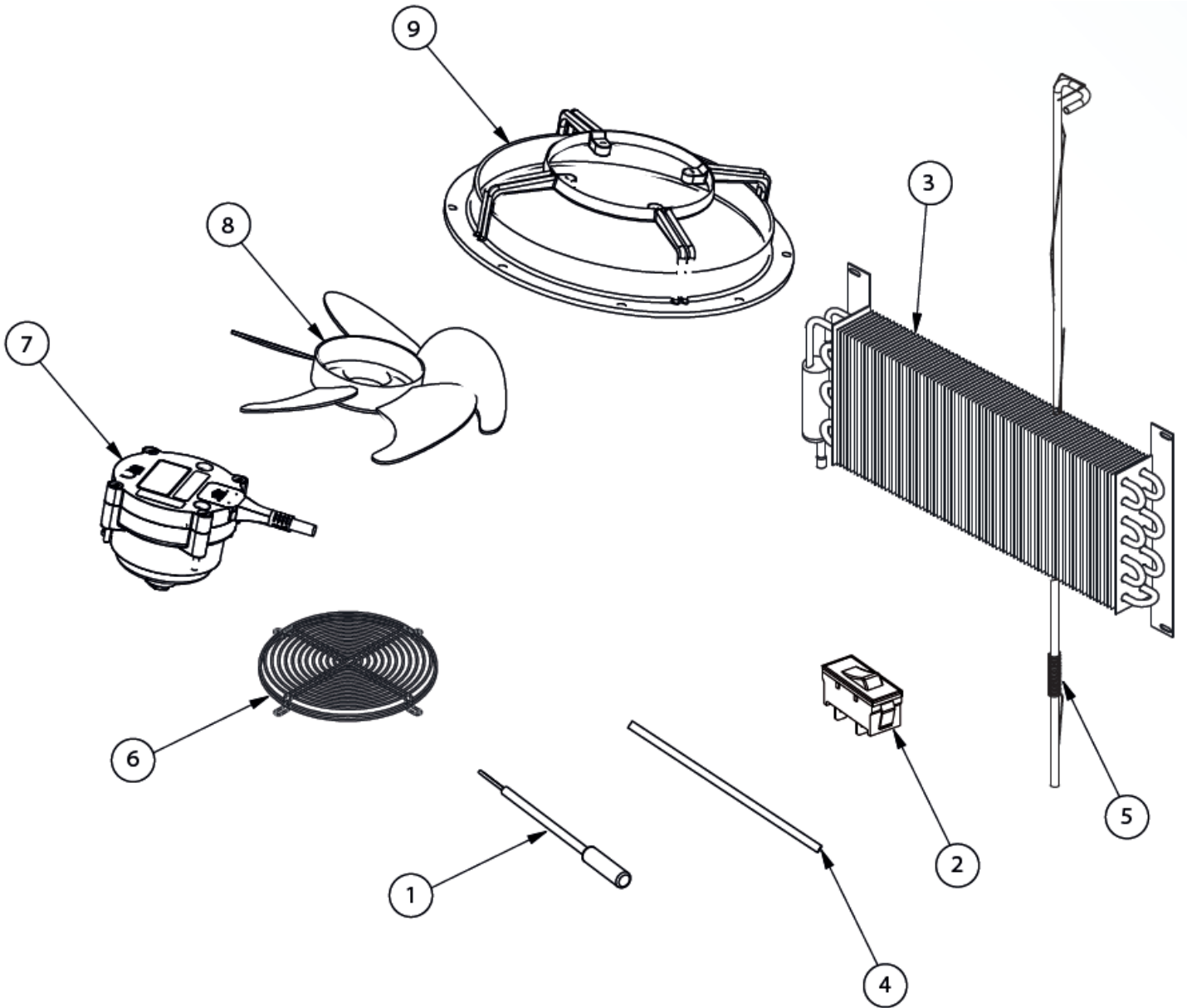
General Assembly



# Parts Breakdown

Model VR06 41214

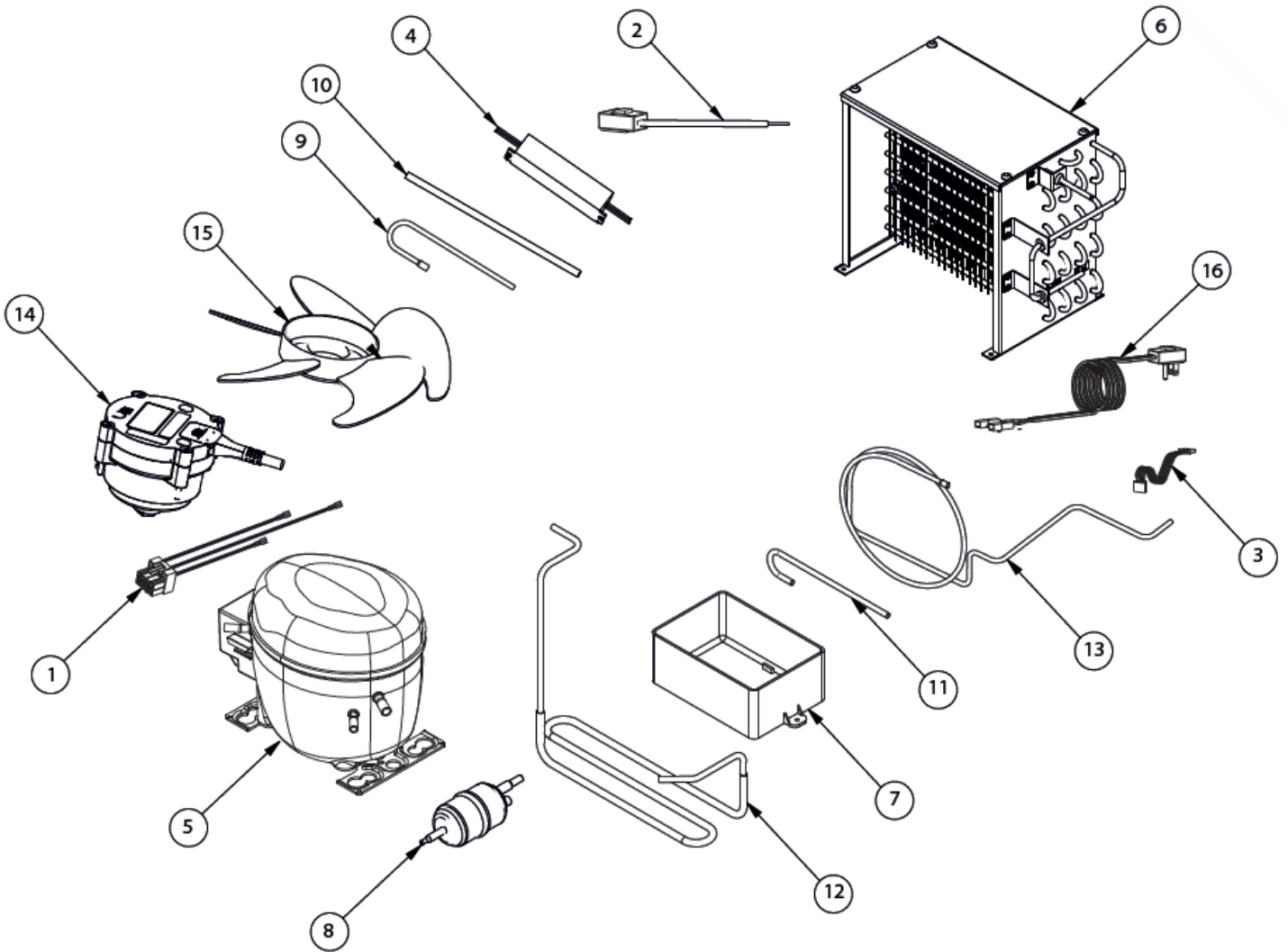
Evaporator Assembly



# Parts Breakdown

Model VR06 41214

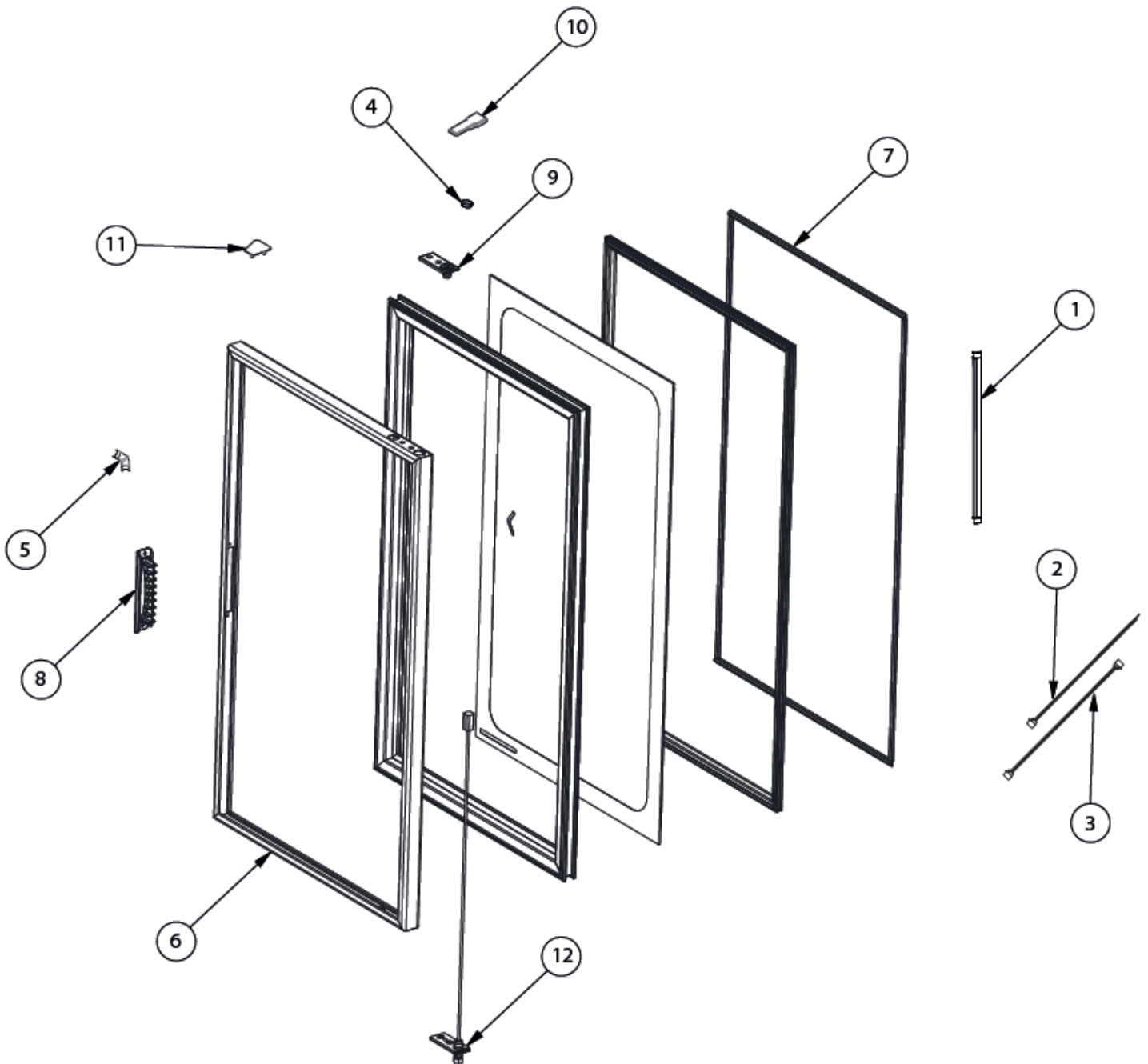
Condenser Assembly



# Parts Breakdown

Model VR06 41214

Door Assembly



# Parts Breakdown

## Model VR06 41214

## General Assembly

Item No.	Description	Position	Item No.	Description	Position	Item No.	Description	Position
66393	Leveling Screw, 1/2"-13x2" W/PLA UL for 41214	1	66397	Grill, MET Containment R2 for 41214	5	66399	Clip, F/Pilaster 16G Polished for 41214	9
66394	Pilaster, 428 4B Diam 6.7 for 41214	2	66398	Grill, MET Containment C02 for 41214	6	66400	Thermometer, Wall MTG for 41214	10
66395	Controller, ELE BEV 115V N/SEN 6T for 41214	3	72281	Top Shelf for 41214	7			
66396	Knob, ABS Control for 41214	4	72284	Bottom Shelf for 41214	8			

## Evaporator Assembly

Item No.	Description	Position	Item No.	Description	Position	Item No.	Description	Position
66401	Temp Sensor, ETC1H 2.0M for 41214	1	66404	Return Pipe, 1/4" 0.300M R6 UL for 41214	4	66407	Motor, E WEL 13W 100/240V 50/60HZ 1400RPM for 41214	7
66402	Rocker Switch, BK for 41214	2	66405	Cap Tube 0.036x96" for 41214	5	66408	Fan Blade MYF PLA 6" Dia. 31 Deg. for 41214	8
66403	Evaporator 156 14T 1/4 AL 6FPI FIL341 PAI for 41214	3	66406	Grill, Wire Fan Blade 200mm 12R WT High for 41214	6	66409	Nylon Motor Ring for 41214	9

## Condenser Assembly

Item No.	Description	Position	Item No.	Description	Position	Item No.	Description	Position
66410	Main Harness for 41214	1	66416	ABS Condenser Pan for 41214	7	66422	Suction Pipe 1/4" 0.980M for 41214	13
66411	LED Harness for 41214	2	66417	Filter Dryer 0.9 HP DCL for 41214	8	66423	Motor, E WEL 13W 100/240V 50/60HZ 1400RPM for 41214	14
66412	Compressor Harness for 41214	3	66418	Cond-Filt Pipe 3/16" 0.180M for 41214	9	66424	Fan Blade, WEL PLA 8" Diam. 28 Deg. for 41214	15
66413	LED Current, Driver 24W R2 S300 W/ CON for 41214	4	66419	Charge Pipe 1/4" 0.180M for 41214	10	66425	Power Cord 115V 15A 14AWG for 41214	16
66414	Compressor EMB EMU40CLP 115V 60HZ R6 for 41214	5	66420	Discharge Pipe 3/16" 1.010M for 41214	11			
66415	Condenser 206 NFI 36T 3/16 FE PAI HM for 41214	6	66421	Vacuum Pipe 1/4" 0.300M for 41214	12			

## Door Assembly

Item No.	Description	Position	Item No.	Description	Position	Item No.	Description	Position
66426	Module, 8 LEDs 1.2W 54MA NGD for 41214	1	66430	PE BLA NGD Couple for 41214	5	66434	MET Top Hinge UNI Slope OPT for 41214	9
66427	F-M Moduled Harness NGD for 41214	2	66431	Door G J RHG LED SCTB NGD for 41214	6	66435	Hinge Top Cover for 41214	10
66428	F-Driver Moduled Harness NGD for 41214	3	66432	Universal Door Gasket 516x866mm for 41214	7	66436	Hinge Position Top Cover for 41214	11
66429	Reversible Door Stopper ED 3/4" BK for 41214	4	66433	Door Handle for 41214	8	66437	MET Top Hinge UNI Slope SCTB for 41214	12